

## Biax™ S 2-pin, Internal Starter

F7BX/SPX41/840/MIH  
37660

### Product information

Biax™ S compact fluorescent lamps can provide savings of up to 73% in energy costs compared to incandescent lamps. Available in 5, 7, 9 and 11 watt ratings, low wattage Biax™ S lamps are ideal for new installations or to replace existing incandescent lamps. These lamps are available in 2700, 3000, 3500, 4000, 5000 and 6500K colour temperatures. The Biax™ S lamps have built-in internal starters. They have a rated average life of 10,000 hours, which results in fewer lamp changes and a reduction in maintenance costs over the life of an installation.

The Biax™ S/E lamps are available in 5, 7, 9 and 11 watt ratings. However, the Biax™ S/E lamps have 4-pin caps without built-in capacitors and starters, they are therefore suitable for operation with electronic control gear and can be used for dimming and emergency lighting applications. Biax™ S/E lamps have the same energy saving benefits and high quality colour rendering as the Biax™ S range. The use of separate electronic ballasts makes them suitable for almost every



kind of energy supply: high and low voltages, accumulators, batteries, solar cells and systems that can be dimmed. When the new fluorescent lamp is installed into dimming system, it is advised to operate lamps for period of 100 hours at full light output.

---

### Application areas



Office



Industrial

### Product data

Product Code	37660
Bulb Shape	Biax Plug-in
Bulb maximum overall diameter [mm]	32
Maximum Overall Length [mm]	136.5
Net weight per piece [g]	31
Gross weight per piece [g]	44
Operating position	U - Universal
Mercury Content [mg]	3
UV radiance	exempt
Brand	GE Lighting
Cap/Base	G23

### Performance data

Colour Code	840
Weighted energy consumption [kWh/1000h]	9.18
Energy efficiency class (EEC)	A
Rated Life [h]	10000
Nominal correlated colour temperature (CCT) [K]	4000
Nominal lumens [lm]	425
Colour Rendering Index (CRI) [Ra]	82

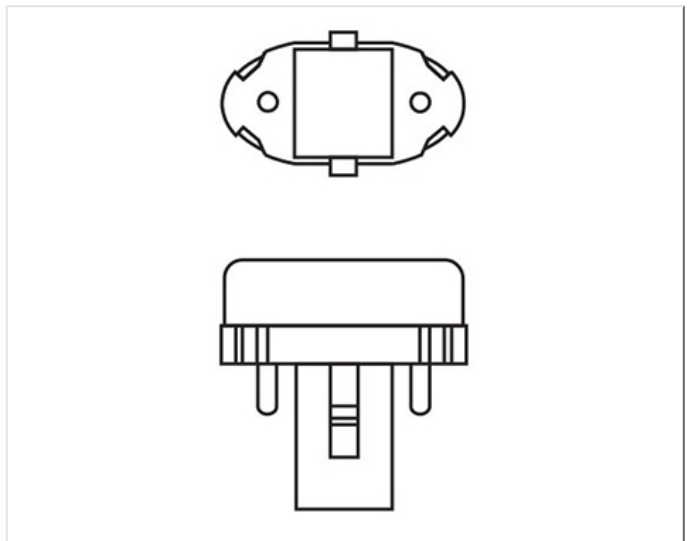
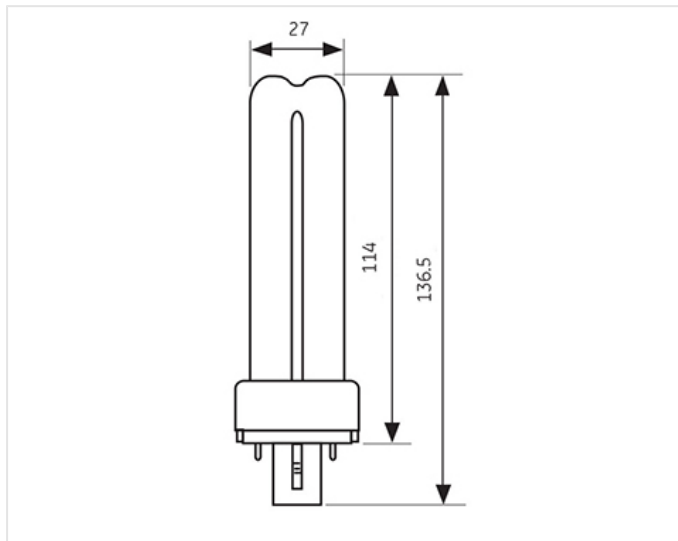
### Electrical data

Operating Temperature (MIN) [°C]	-15
Starting ambient temperature range	-15
Dimming Capability	No
Nominal power [W]	7
Nominal lamp voltage [V]	47

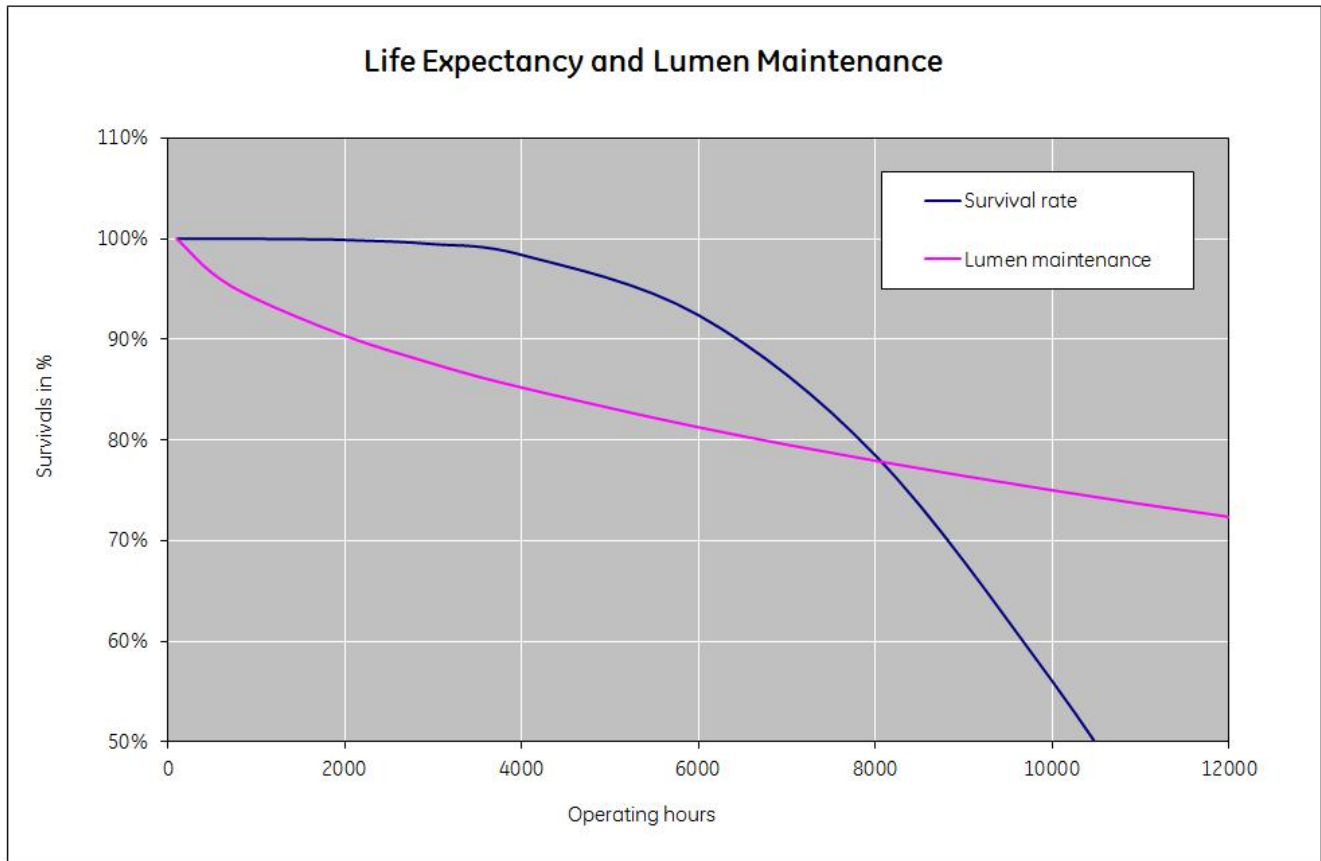
### Logistic data

DUN Code	30043168376601
EAN Code	0043168376600
Pack Quantity	10
Layer quantity	800 EUR, 1000 UK
Layer quantity EUR	800
Layer quantity UK	1000
Pallet quantity EUR (PC)	5600
Pallet quantity UK (PC)	6000
Outer case size	191 x 55 x 153 (mm)
Product status	Available

### Technical drawing



## Survival data



## Downloads & Links

[Go to the catalog site \(HTTP\)](#)

[CFL Non-Integrated Spectrum Catalogue \(PDF\)](#)

[Longlast™ Biax™ S/E Lamps Data sheet \(PDF\)](#)

[Lighting design tools & calculators \(HTTP\)](#)

[CFL Non-Integrated Spectrum Catalogue \(PDF\)](#)

[Longlast™ Biax™ S/E Lamps Data sheet \(PDF\)](#)

[Lighting design tools & calculators \(HTTP\)](#)

[High-res images / Technical drawings \(HTTP\)](#)

[Certificate for the Quality Management System of GE Lighting EMEA \(PDF\)](#)

[Certificate for the Environmental Management System of GE Lighting EMEA \(PDF\)](#)